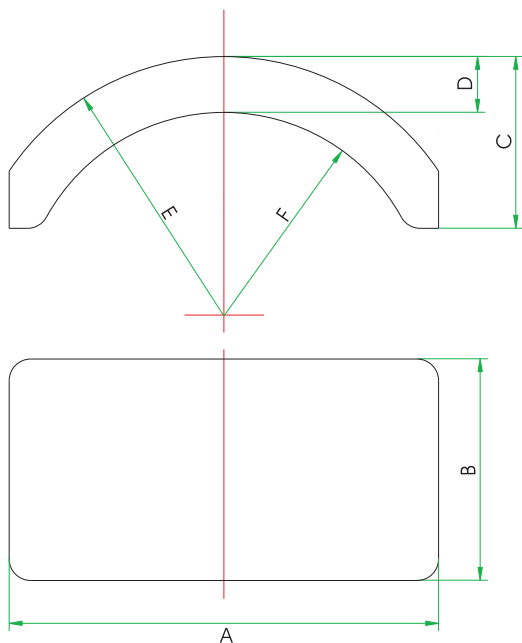


Possible dimension range and tolerances



	Dimension	Dimension range	Tolerances
A	Width	12 - 80 mm	± 0,2 mm
B	Length	12 - 150 mm	± 0,2 mm
D	Thickness	3 - 20 mm	± 0,08 mm
C	Height	4 - 30 mm	± 0,2 mm
E	Outer radius	12 - 150 mm	± 0,15 mm
F	Inner radius	9 - 140 mm	± 0,15 mm

Typical values of Maniperm[®] materials

characteristics	unit	881	882	884	885	886*	864	865**
B_R	mT	385 - 400	405 - 415	395 - 405	420 - 430	435 - 450	385 - 395	410 - 415
H_{CB}	kA/m	279 - 240	270 - 240	300 - 290	270 - 240	330 - 300	300 - 290	290 - 270
H_{CJ}	kA/m	295 - 260	290 - 270	325 - 315	300 - 290	360 - 320	360 - 345	400 - 380
$(BH)_{max}$	kJ/m ³	31	32	31	34	36	29	32
Permanent permeability μ_p		1,03						
Density	g/cm ³	4,8	4,8	4,8	4,8	4,9	4,8	4,8
Curie temperature	°C	450						
TC of B_R	%/K	-0,2						
TC of H_{CJ}	%/K	0,3						
TC of linear expansion								
preferred direction	10 ⁻⁶ /K	15						
⊥ preferred direction	10 ⁻⁶ /K	9						
Magnetising field strength	kA/m	1.000	1.000	1.000	1.100	1.000	1.200	1300
Operating point B_a (optimal) H_a	mT	195	200	195	225	235	190	200
	kA/m	155	155	155	155	155	155	155
Resistivity	Ωm	>10						
E-Modul	kN/m ²	150						
Tensile strength	N/mm ²	50						
Compressive strength	N/mm ²	500						
Mohs hardness		6 - 7						
Calorific conductivity	W/mK	5 - 10						

* Maniperm 886 before product launch

** Maniperm 865 under development